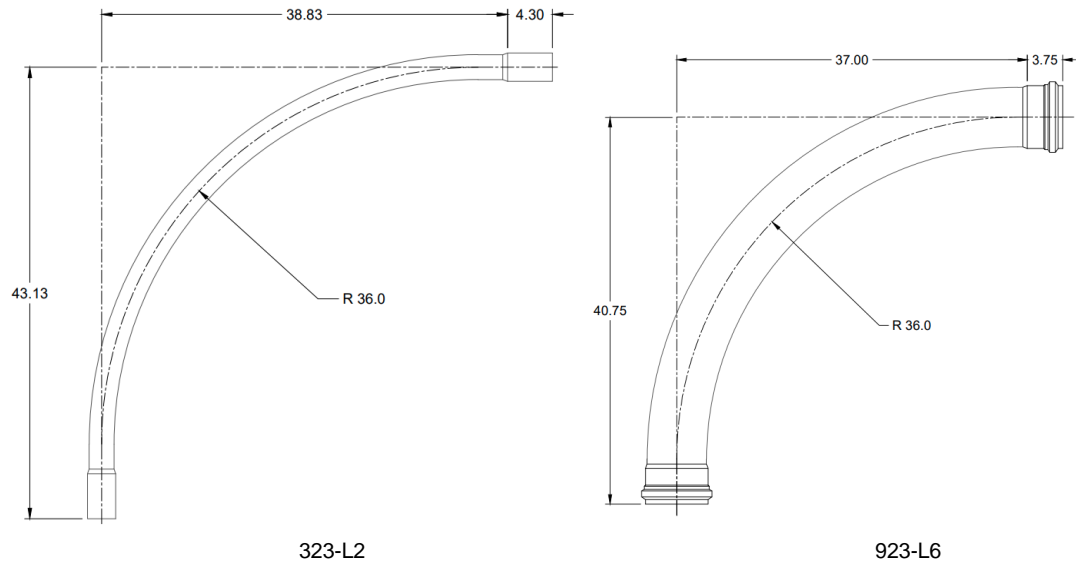




Dear Valued Customers,

We are pleased to announce the addition of long sweep 90 degree bends to our product line. We now offer a long sweep 90 degree bends in 2" DWV, 3" DWV, 4" DWV, 4" HWS, and 6" HWS.



DWV	Part #	Description	List price	Sewer	Part #	Description	List price
	323-L2	2" X 90 IPS LONG SWEEP HXH	171.59		923-L4	4" X 90 HWS SWEEP GXG	674.36
	323-L3	3" X90 IPS LONG SWEEP HXH	336.26		924-L4	4" X 90 HWS SWEEP SXG	643.93
	323-L4	4" X 90 IPS LONG SWEEP HXH	530.53		923-L6	6" X 90 HWS SWEEP GXG	960.84
		All have a 36" radius			924-L6	6" X 90 HWS SWEEP SXG	918.21
					4" 90 has a 24" radius, 6" has a 36" radius. These are also available in Solvent weld hubs as well.		

DWV/Sch40 sweeps will be white in color and currently do not have a UL listing.

****FFA for the 90 degree long sweeps will be \$3000. GPK and Indiana seal fittings can be combined to meet FFA.**

For more information please contact your factory sales representative or local GPK/IS representative.

Sincerely,

GPK Products Inc. /Indiana Seal Inc.
 800-437-4670
 Fax. 701-277-9286
www.gpk-fargo.com/

