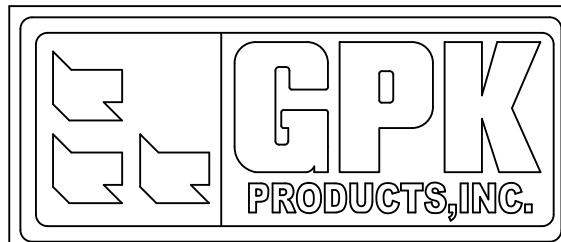
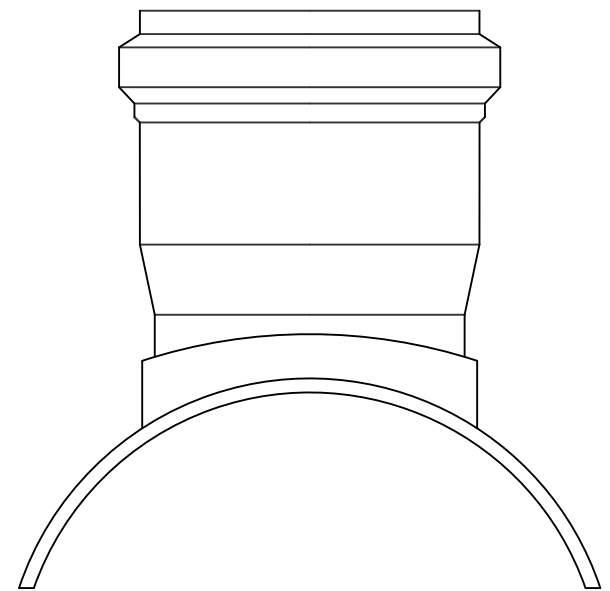


☺
of main



1-800-437-4670 FARGO, ND

FOR REFERENCE ONLY DIMENSIONS SUBJECT TO CHANGE

TITLE

6" x 4" SADDLE TEE HxG With Straps
F1866 DWV SCH 40 IPS PVC

DATE 6-19-15

SCALE NONE

PART NO. G302-0064