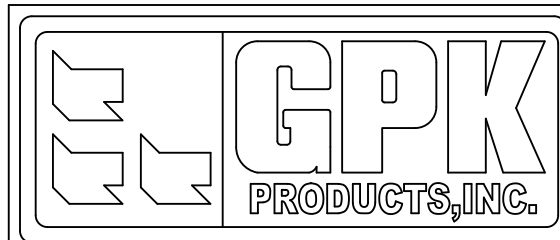
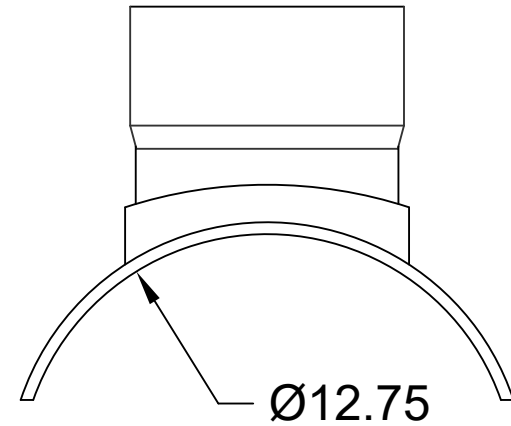


☉
of main



1-800-437-4670 FARGO, ND

FOR REFERENCE ONLY DIMENSIONS SUBJECT TO CHANGE

TITLE

12" x 6" SADDLE TEE HxH With Straps
F1866 DWV SCH 40 IPS PVC

DATE 01-30-14

SCALE NONE

PART NO. 302-0126