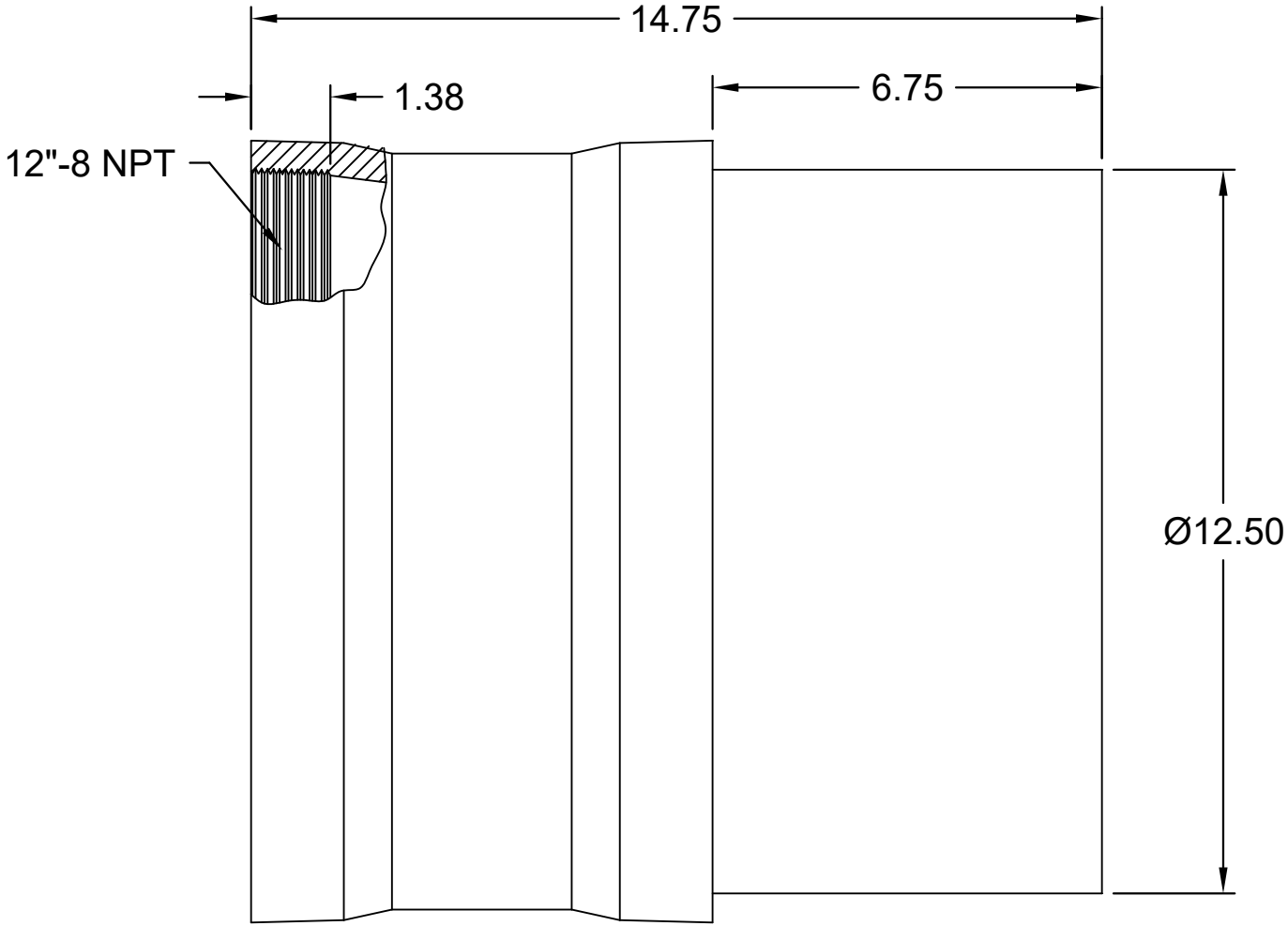


SPIGOT TAPER AVAILABLE ON REQUEST



FOR REFERENCE ONLY DIMENSIONS SUBJECT TO CHANGE

TITLE

12" FIPT x PSM Sp ADAPTER  
D3034/F1336 SDR 35 PSM PVC



1-800-437-4670

FARGO, ND

DATE 05-20-12

SCALE NONE

PART NO. 229-0012