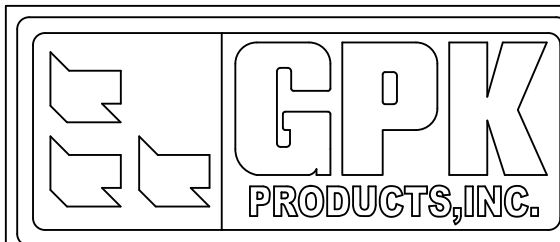
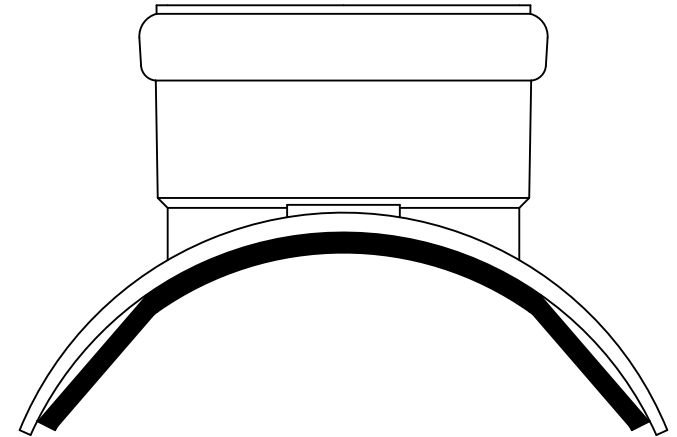
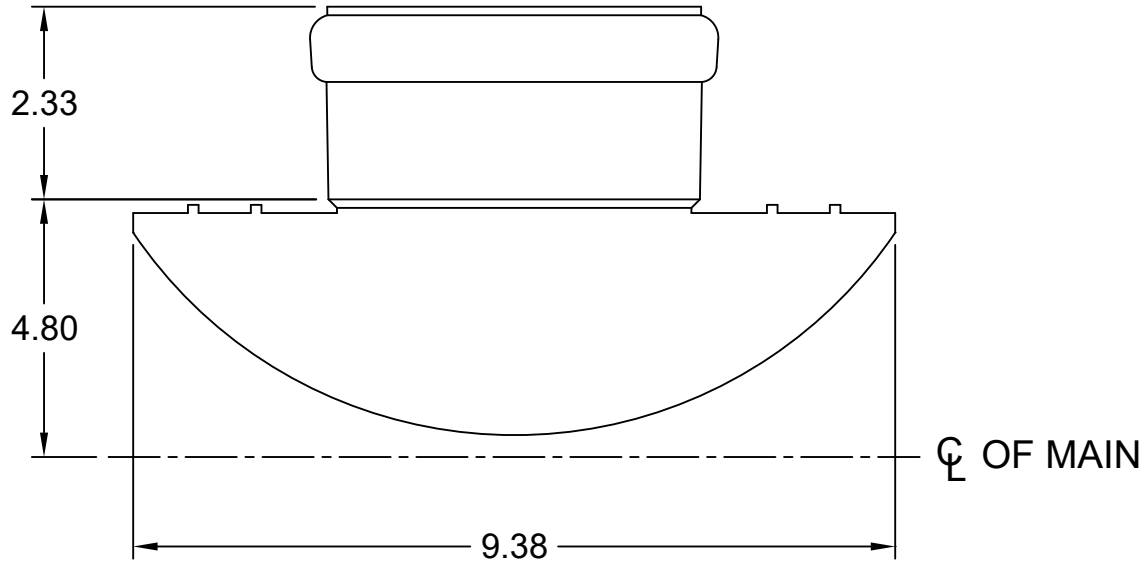


Not recommended when air test is needed



1-800-437-4670 FARGO, ND

FOR REFERENCE ONLY DIMENSIONS IN INCHES DIMENSIONS SUBJECT TO CHANGE

TITLE

8" x 4" SADDLE TEE GxG WITH STRAPS  
D3034/F1336 SDR 35 PSM PVC

DATE 5-15-13

SCALE NONE

PART NO. 136-0084