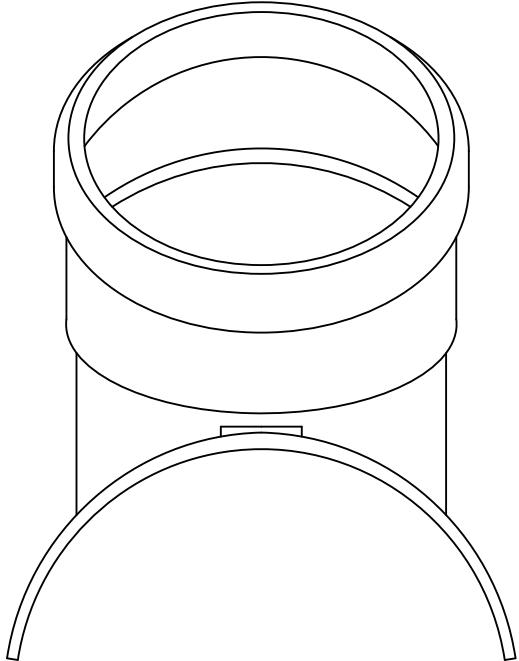
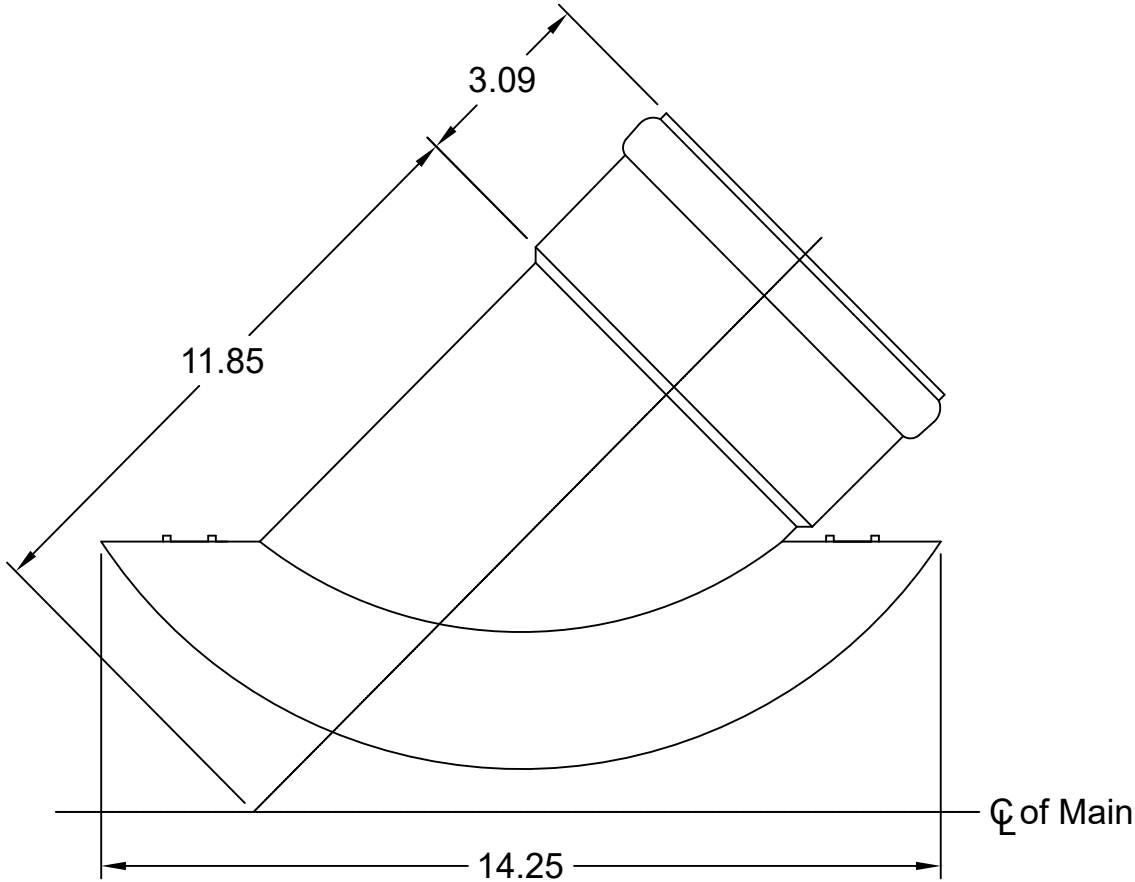


Not recommended when air test is needed



FOR REFERENCE ONLY DIMENSIONS SUBJECT TO CHANGE

TITLE

**10" x 6" SADDLE WYE HxG WITH STRAPS
D3034/F1336 SDR 35 PSM PVC**

1-800-437-4670 FARGO, ND

DATE 02-05-13

SCALE NONE

PART NO. 101-0106