

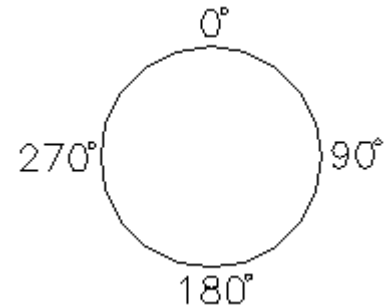


8" - 36" DRAIN BASINS

Fittings are manufactured to ASTM D3034, F679, F1336, F1866.

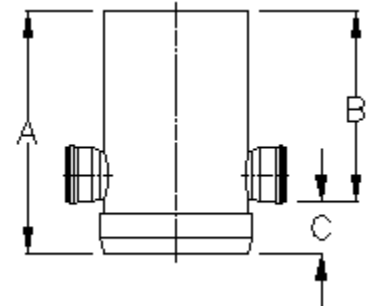
Base Specifications and Net Prices

Base Size	Standard Height (A)	Minimum Sump Depth (C)	Available Outlet Sizes	Net Price *	Net Price Per Additional foot
8"	18"	6"	4" - 8"	\$130.00	\$5.00
10"	20"	6"	4" - 10"	\$170.00	\$8.00
12"	24"	6"	4" - 12"	\$184.00	\$10.00
15"	30"	6"	4" - 15"	\$290.00	\$12.00
18"	34"	6"	4" - 18"	\$400.50	\$15.00
24"	38"	8"	4" - 24"	\$497.50	\$30.00
30"	48"	10"	4" - 30"	\$1,006.38	On Req.
36"	54"	14"	4" - 36"	\$1,350.00	On Req.



Outlet codes

Code	Description
SEWER-G	SDR35 Gasketed
SEWER-SP	SDR35 Spigot
SEWER-H	SDR35 Solvent Weld Hub
IPS-G	IPS Gasketed
IPS-SP	IPS Spigot
IPS-H	IPS Solvent Weld Hub
HWS-G	HWS Gasketed
HWS-SP	HWS Spigot
HWS-H	HWS Solvent Weld Hub



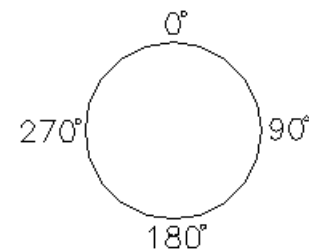
* Price includes up to a maximum of 4 outlets. Maximum of 2 size on size outlets.

Order Form

Customer Name _____
 Address _____
 Address _____
 City _____ State _____ Zip Code _____

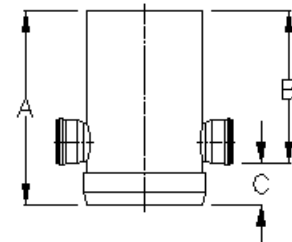
Date _____
 Order Number _____

Basin Size _____ (ASTM D3034 or F679 PS46)
 Basin Height _____ (If Different from Standard)
 Number of outlets _____



Outlet Configurations

Outlet	Size	Outlet Code	Position Degrees	Outlet Height (B)
#1				
#2				
#3				
#4				



All prices are net prices. No discounts apply.
 All Drains basins are non-cancelable, non-returnable once production has begun.
 For additional order forms go to the downloads section of our website www.gpk-fargo.com



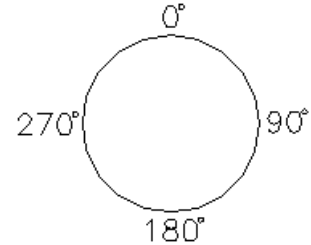
8" - 36" DRAIN BASINS

Order Form

Customer Name _____
 Address _____
 Address _____
 City _____ State _____ Zip Code _____

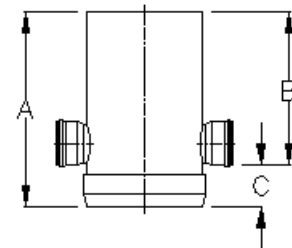
Date _____
 Order Number _____

Basin Size _____ (ASTM D3034 or F679 PS46)
 Basin Height _____ (If Different from Standard)
 Number of outlets _____



Outlet Configurations

Outlet	Size	Outlet Code	Position Degrees	Outlet Height (B)
#1				
#2				
#3				
#4				



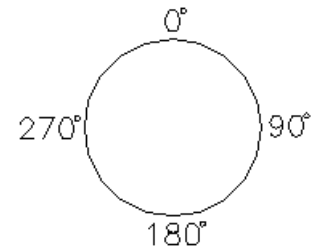
All prices are net prices. No discounts apply.
 All Drains basins are non-cancelable, non-returnable once production has begun.
 For additional order forms go to the downloads section of our website www.gpk-fargo.com

Order Form

Customer Name _____
 Address _____
 Address _____
 City _____ State _____ Zip Code _____

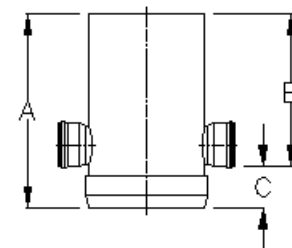
Date _____
 Order Number _____

Basin Size _____ (ASTM D3034 or F679 PS46)
 Basin Height _____ (If Different from Standard)
 Number of outlets _____



Outlet Configurations

Outlet	Size	Outlet Code	Position Degrees	Outlet Height (B)
#1				
#2				
#3				
#4				



All prices are net prices. No discounts apply.
 All Drains basins are non-cancelable, non-returnable once production has begun.
 For additional order forms go to the downloads section of our website www.gpk-fargo.com